

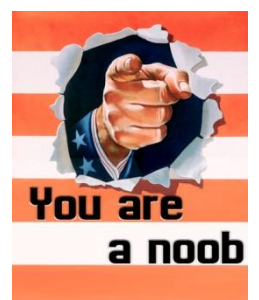


Manuel de Montage en Images

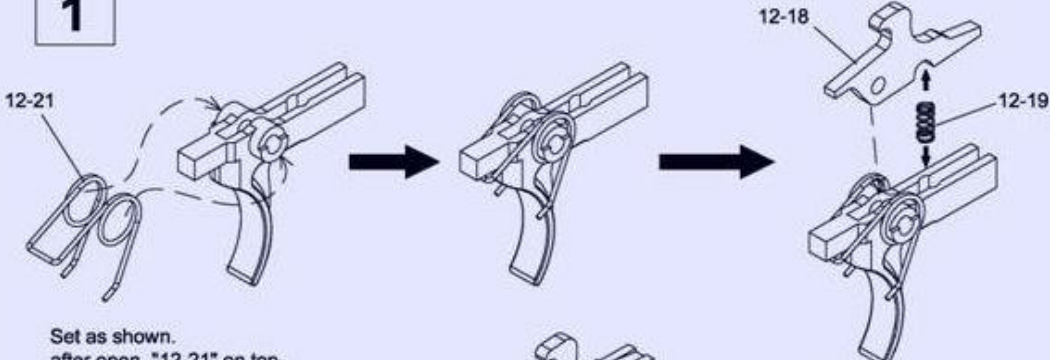
Monter son Système Magna WA ou Clone...

Remontez votre GBB sans Risques...

Assemblez un Custom de toutes Pièces...

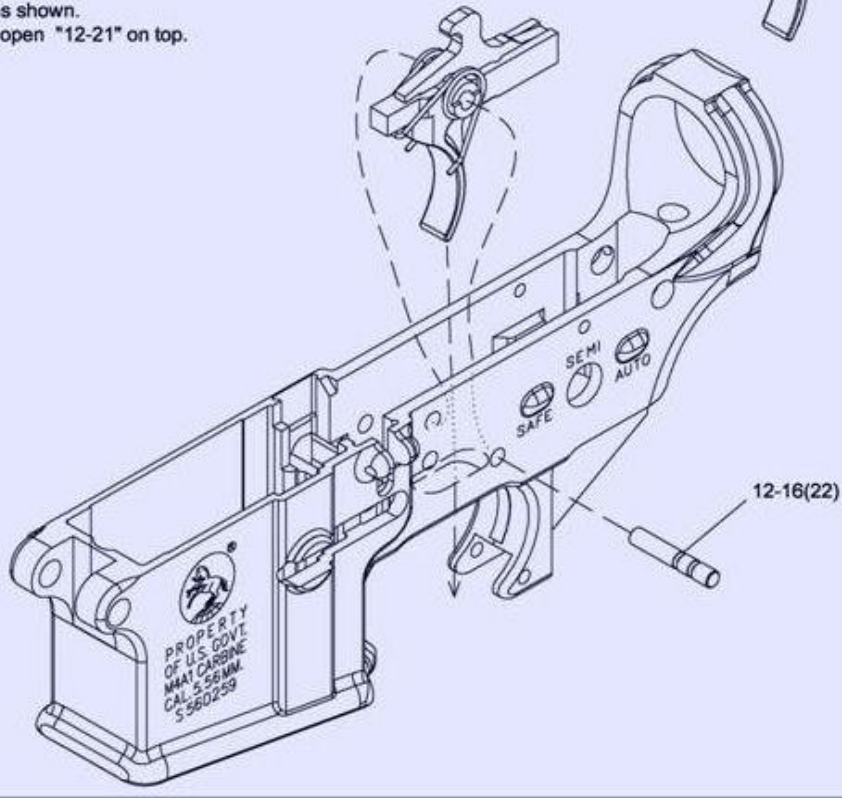


1

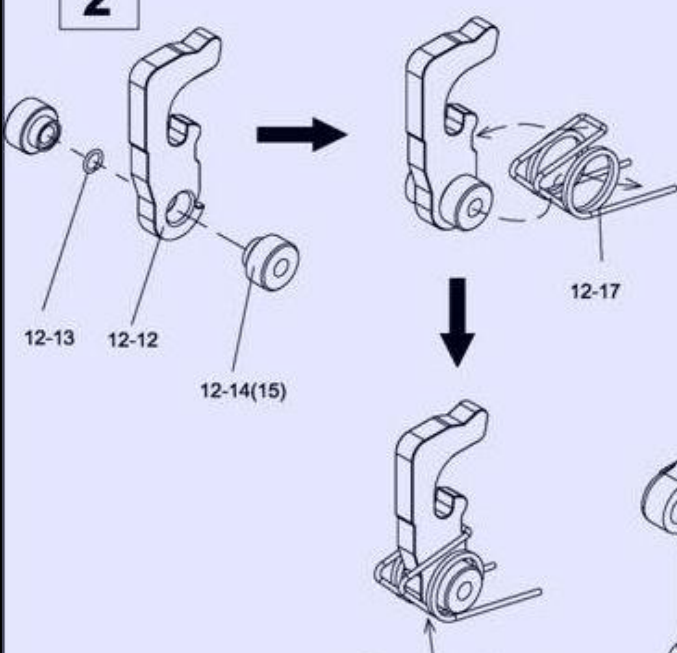


Set as shown.
after open "12-21" on top.

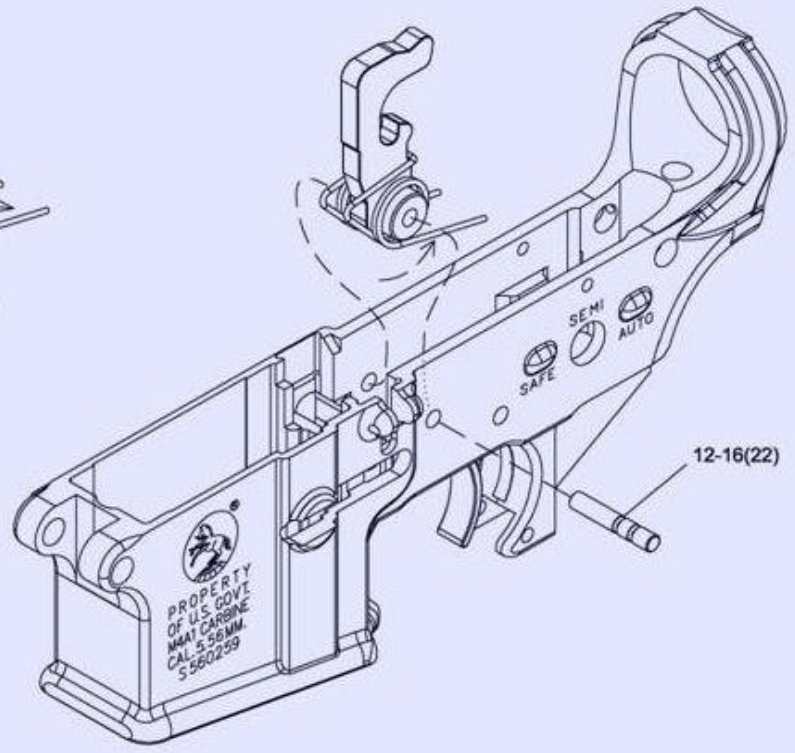
MWM
12-9
(Ø2.6x8)



2



Assemble as shown.



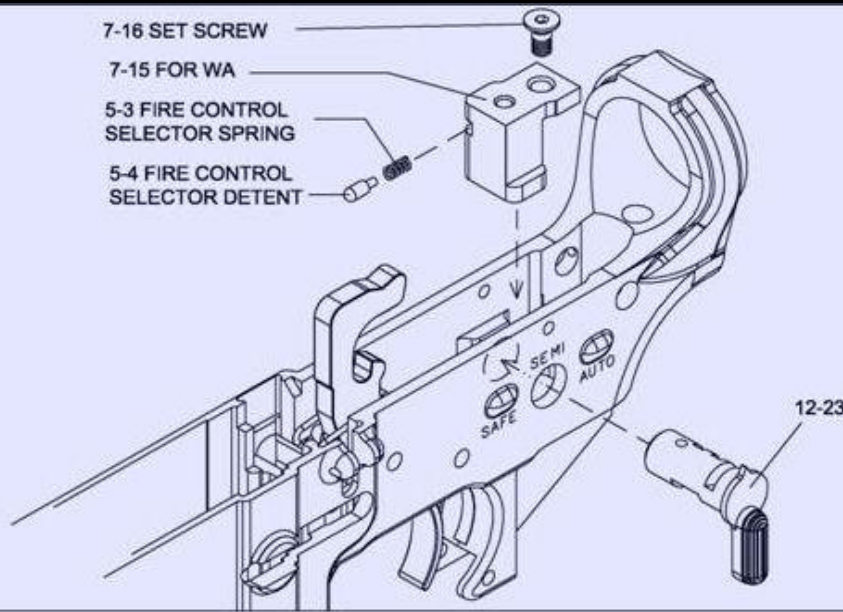
3

7-16 SET SCREW

7-15 FOR WA

5-3 FIRE CONTROL
SELECTOR SPRING

5-4 FIRE CONTROL
SELECTOR DETENT

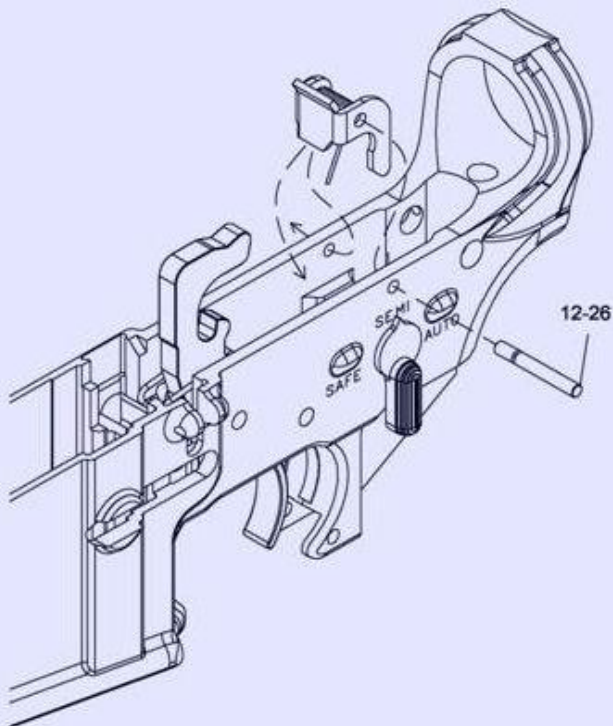
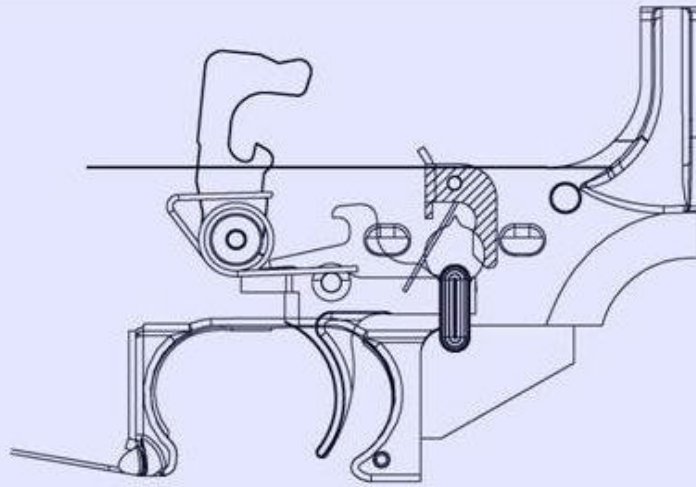
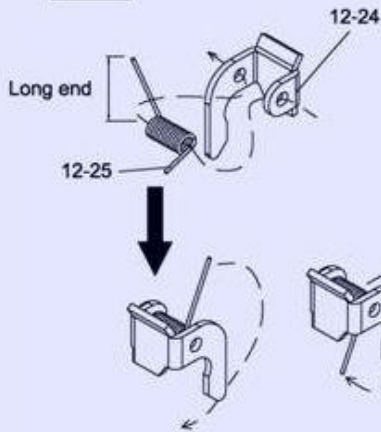


5-3 FIRE CONTROL
SELECTOR SPRING
(Ø2.9x6)

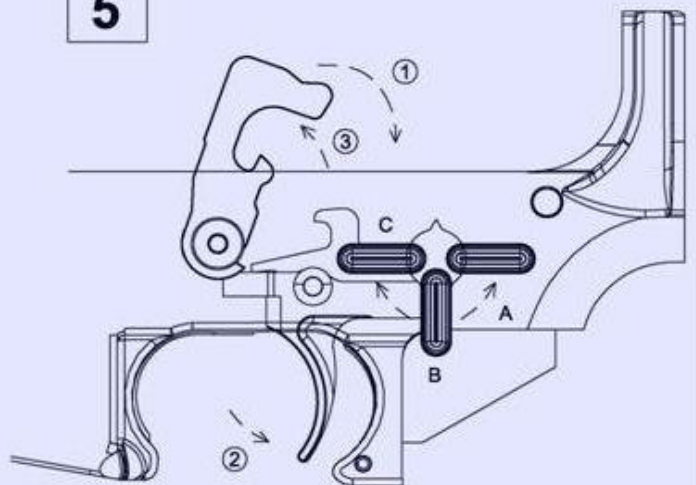


7-16 SET SCREW
(M4x6)

4

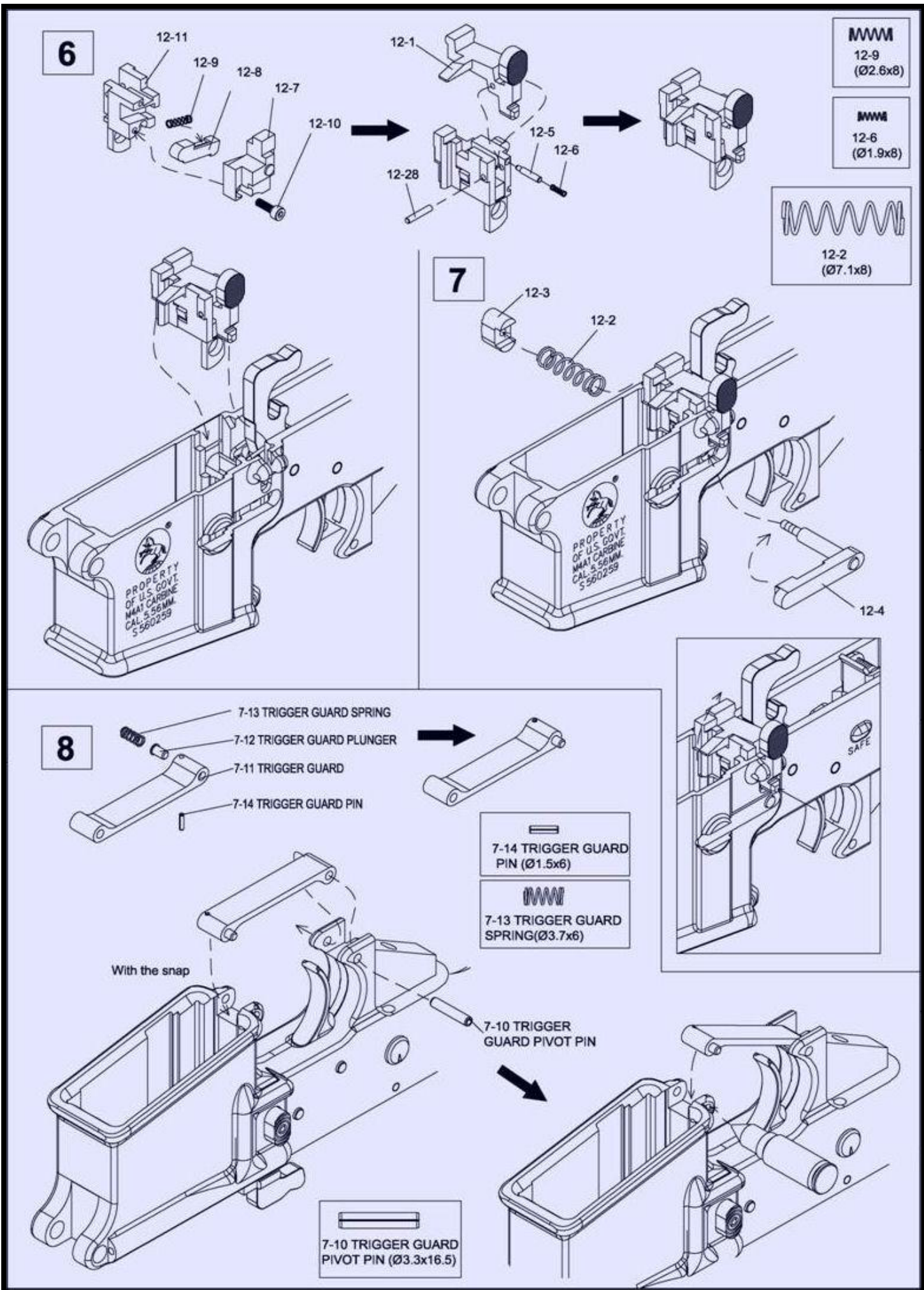


5



Set down like ① and pull like ②

- Ⓐ Safety ③ Not move
- Ⓑ Semi auto ③ fire
- Ⓒ Full auto ③ fire



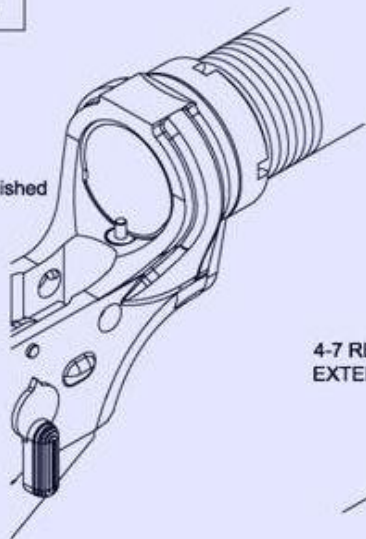
9

7-3 BUFFER
RETAINER SPRING
(Ø4.5x10)

7-8 TAKEDOWN PIN
DETENT SPRING
(Ø2.2x38)

7-2 BUFFER RETAINER
7-3 BUFFER
RETAINER SPRING

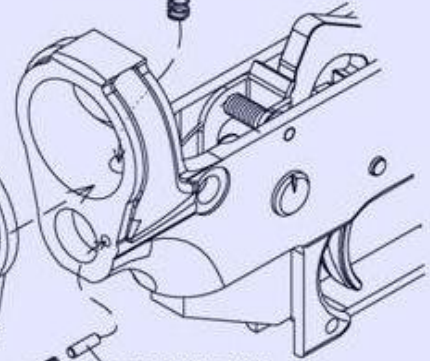
Drawing finished



4-7 RECEIVER
EXTENSION

4-10 RECEIVER
EXTENSION NUT

4-11 RECEIVER
END PATE



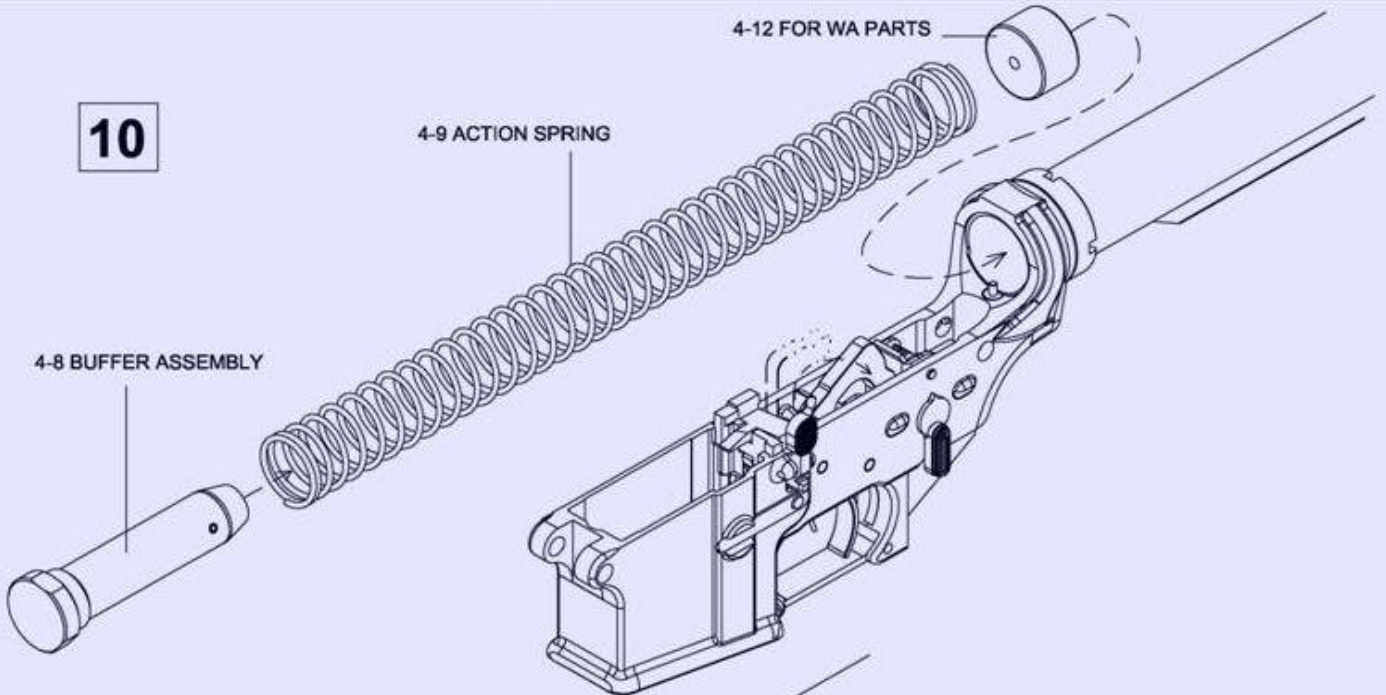
7-7 TAKEDOWN
PIN DETENT
7-8 TAKEDOWN PIN
DETENT SPRING

10

4-12 FOR WA PARTS

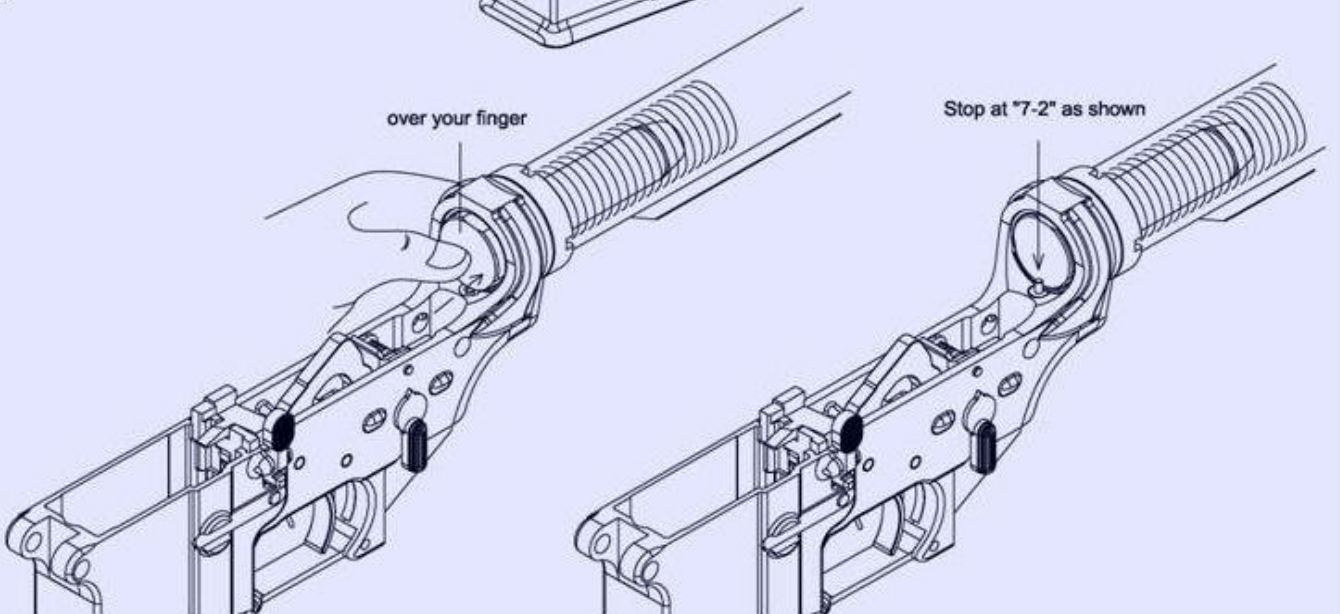
4-9 ACTION SPRING

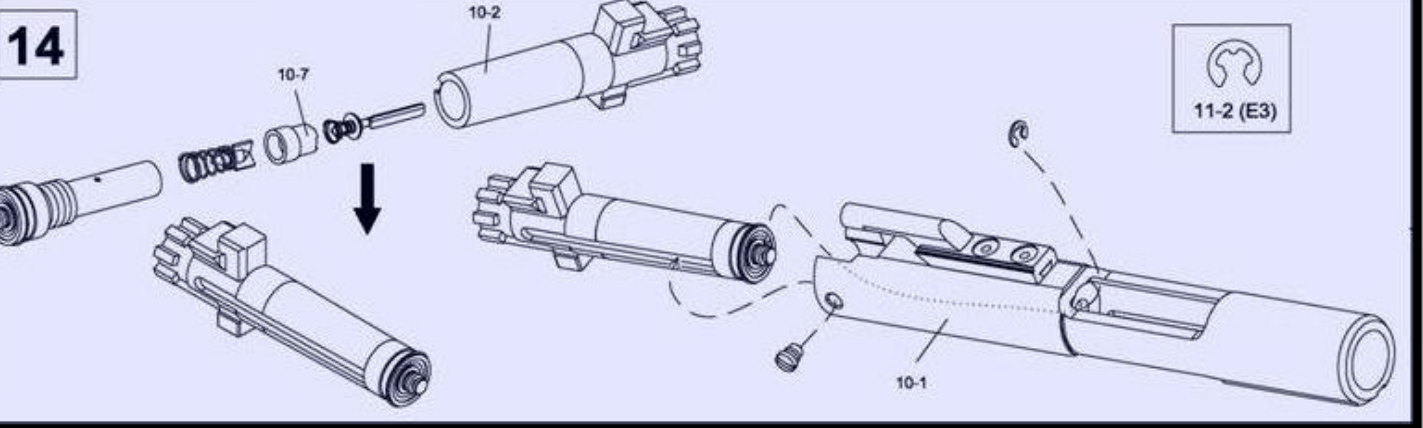
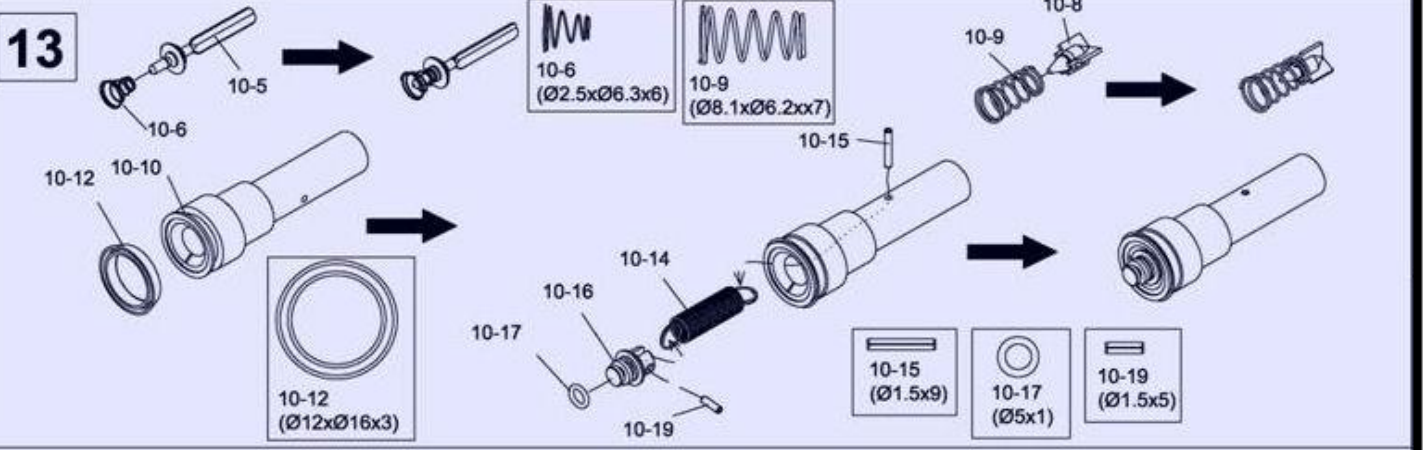
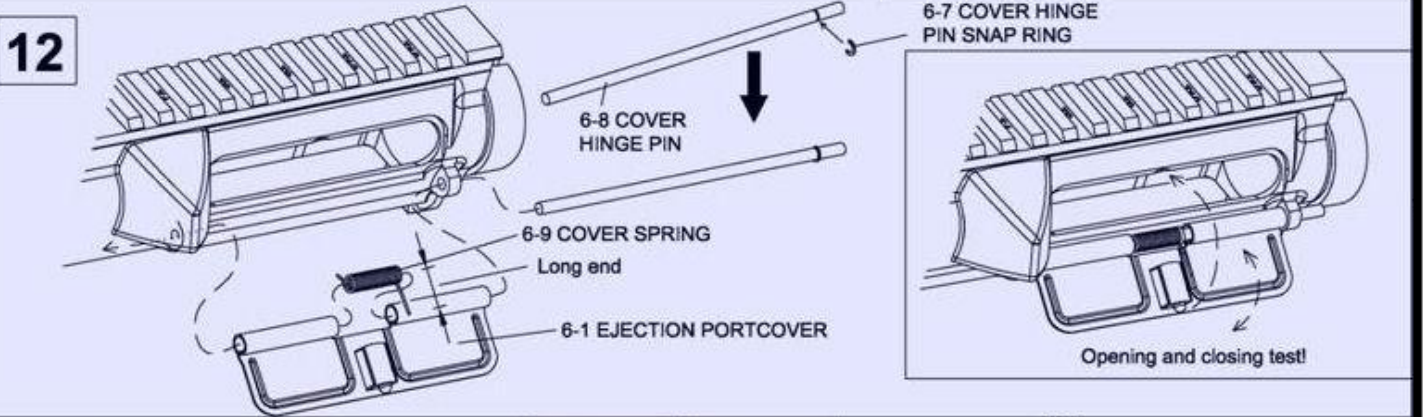
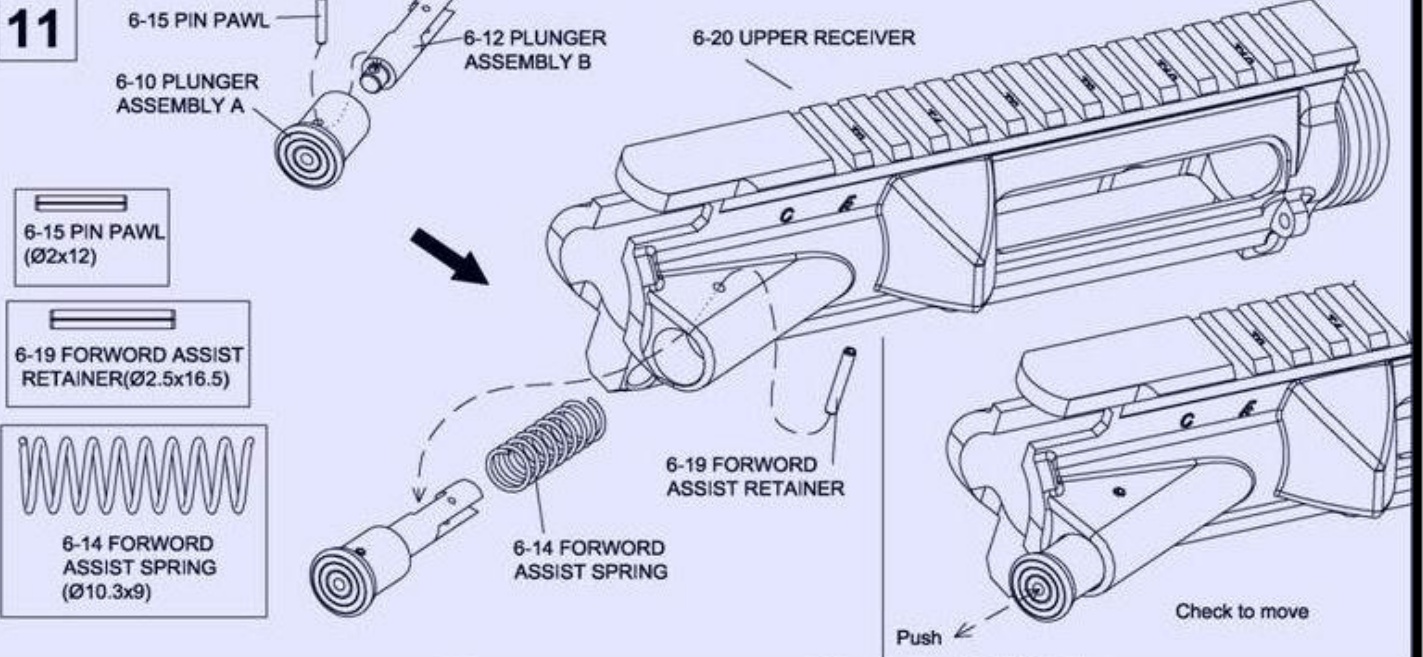
4-8 BUFFER ASSEMBLY



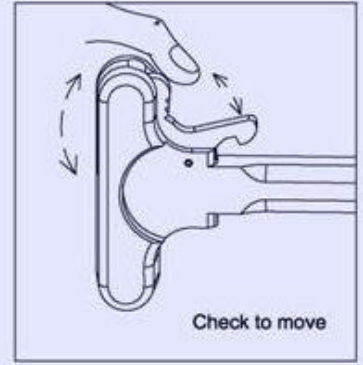
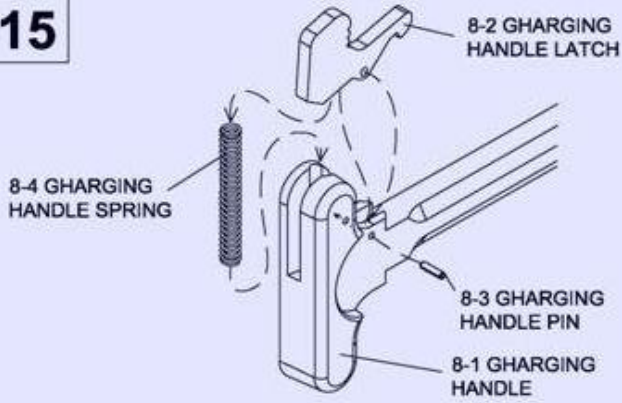
over your finger

Stop at "7-2" as shown

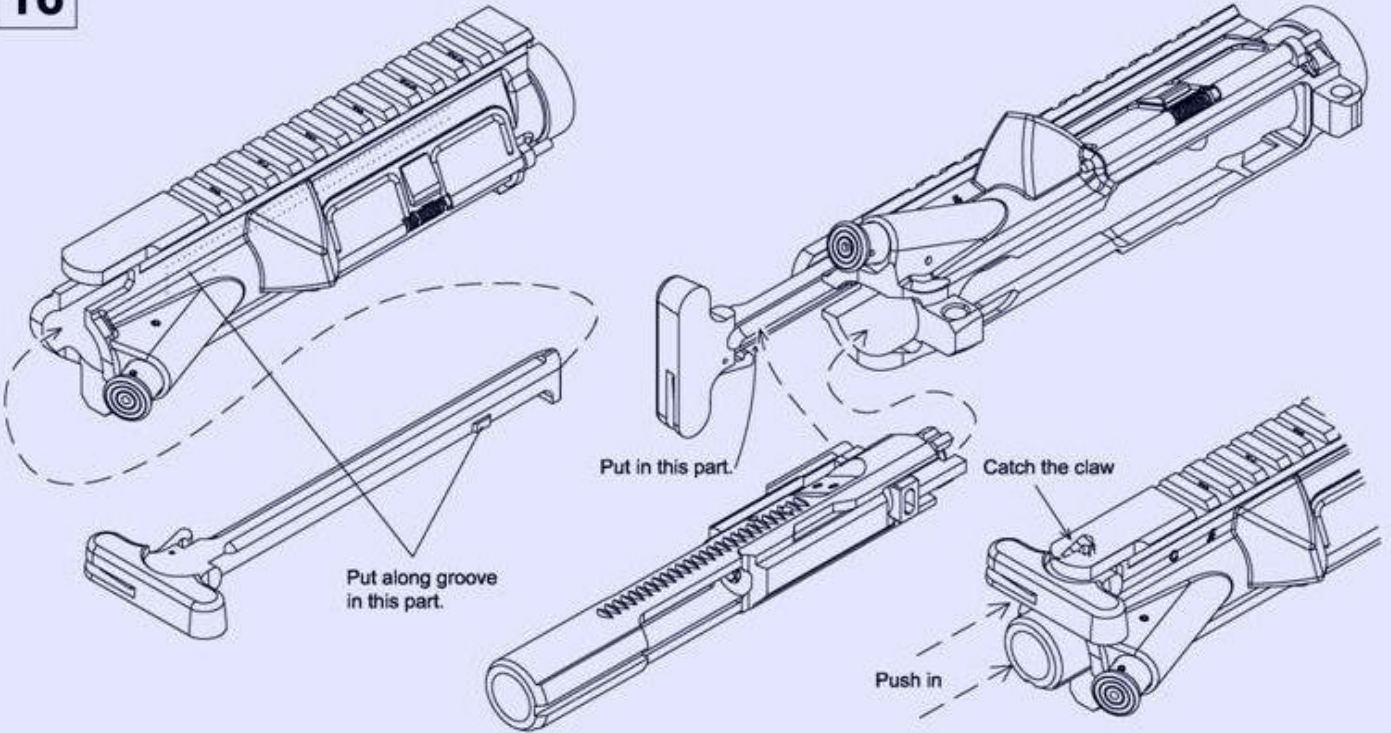




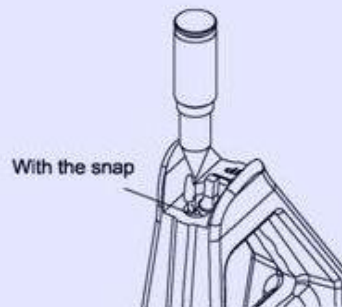
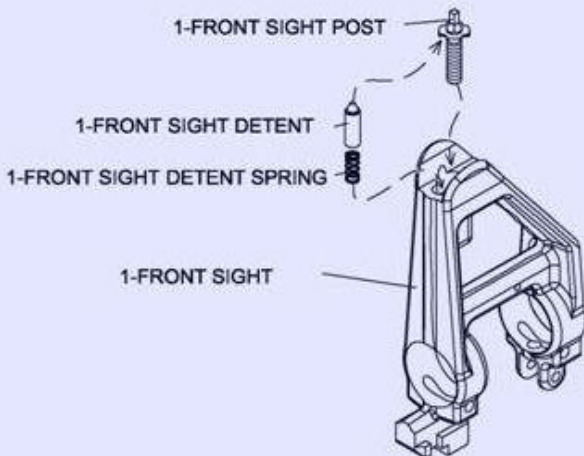
15



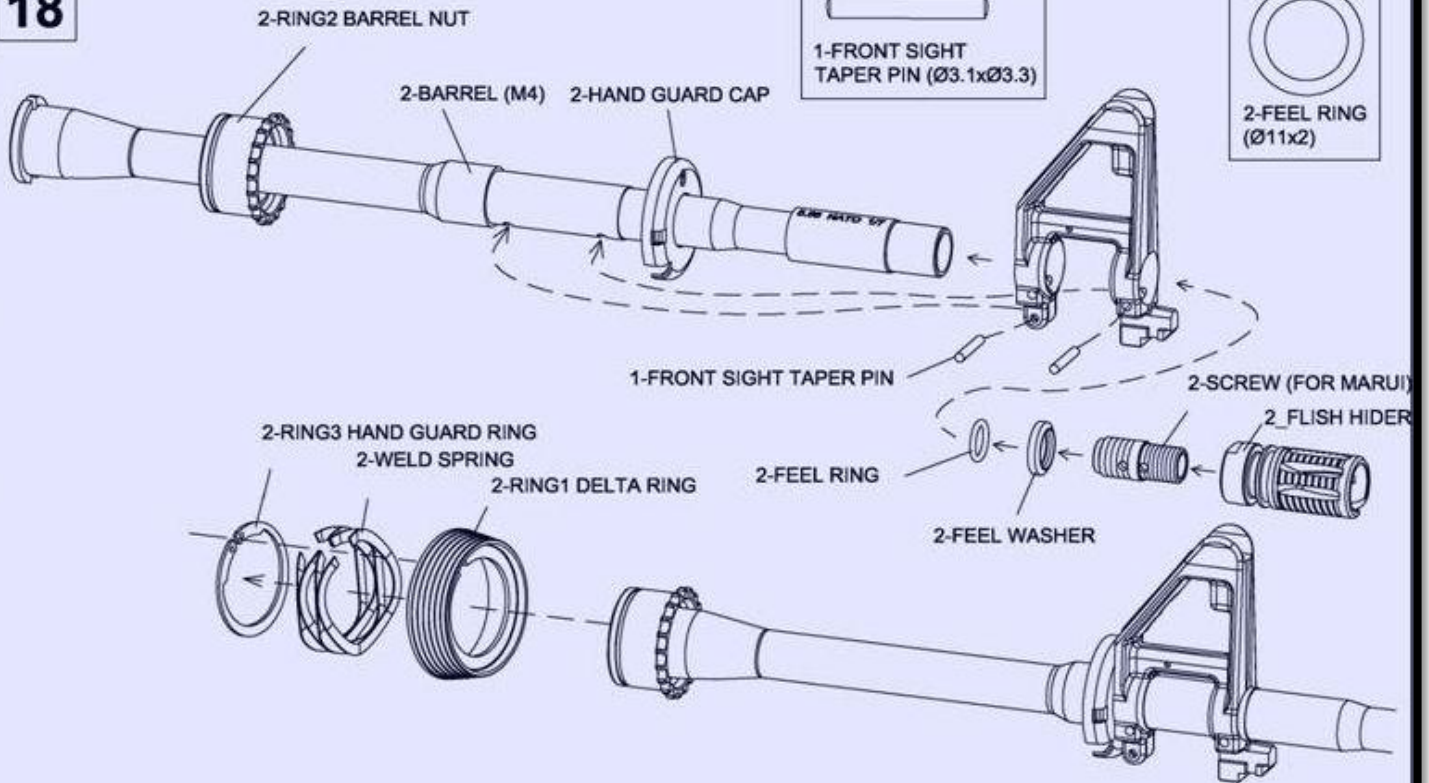
16



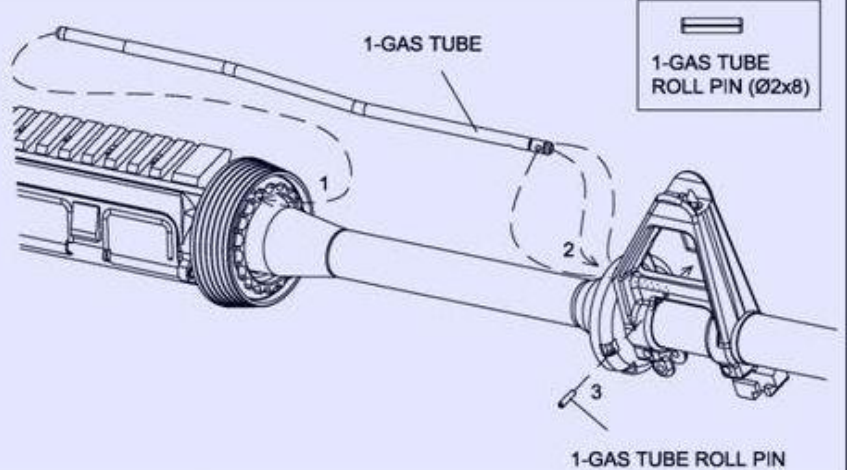
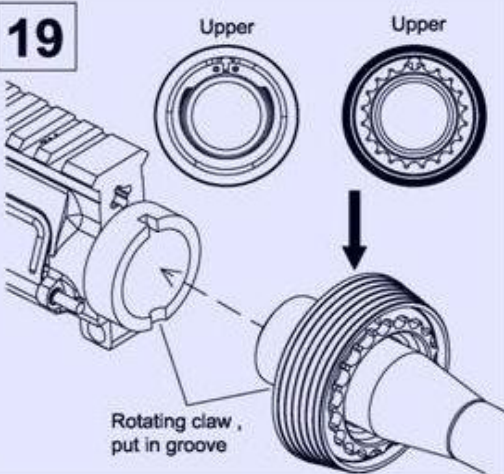
17



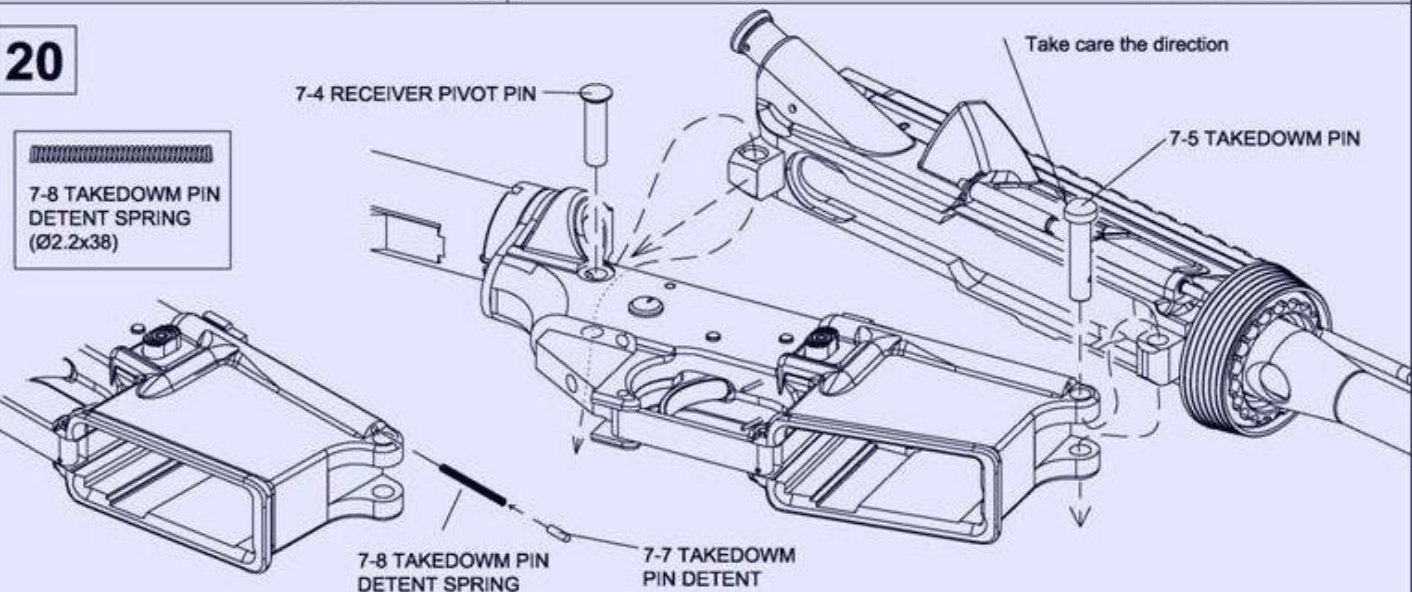
18



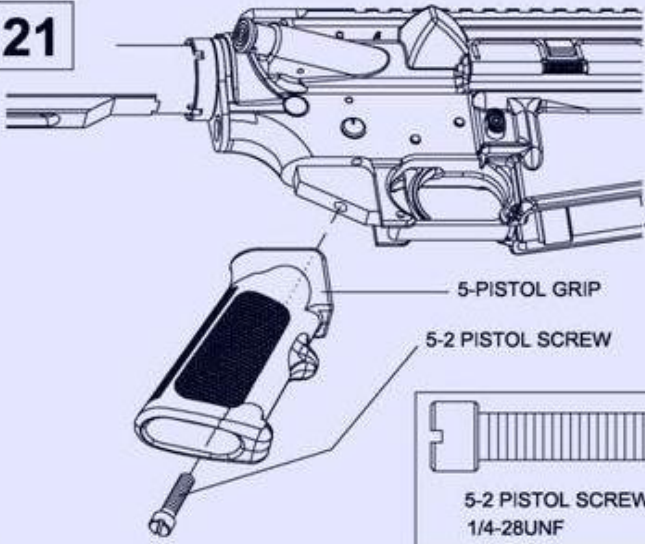
19



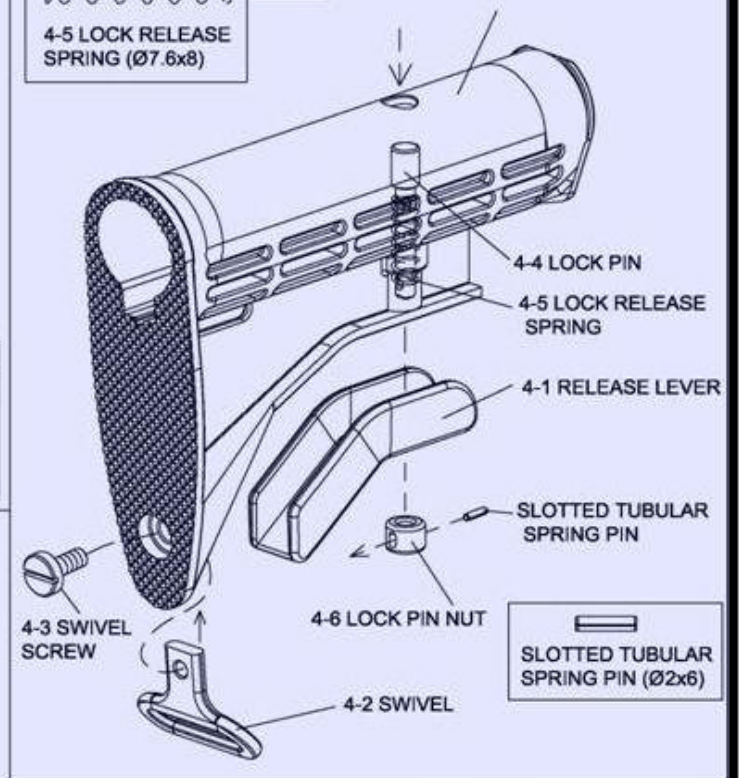
20



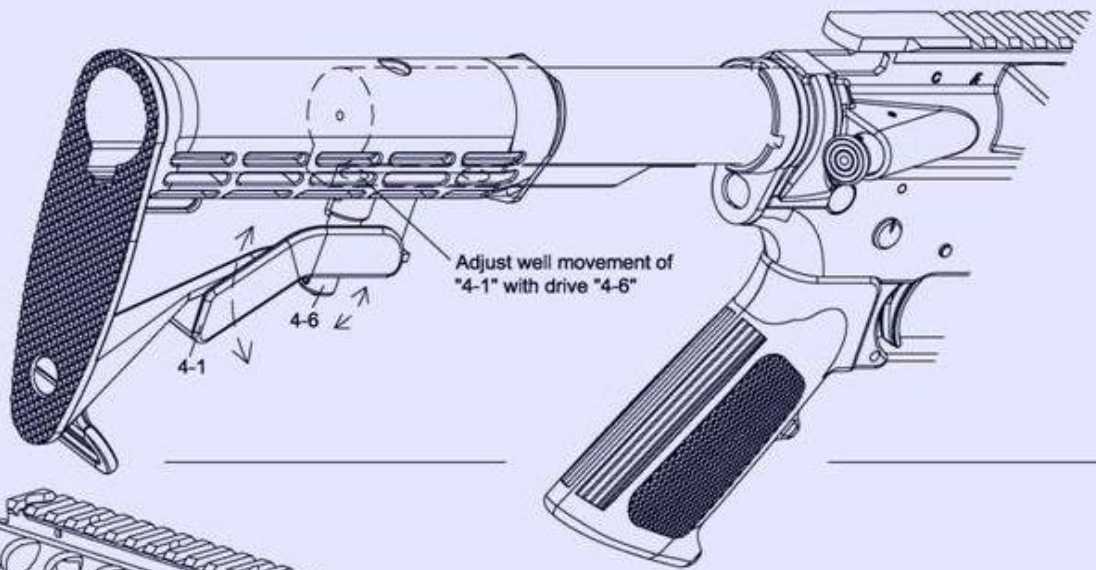
21



22



22



23

